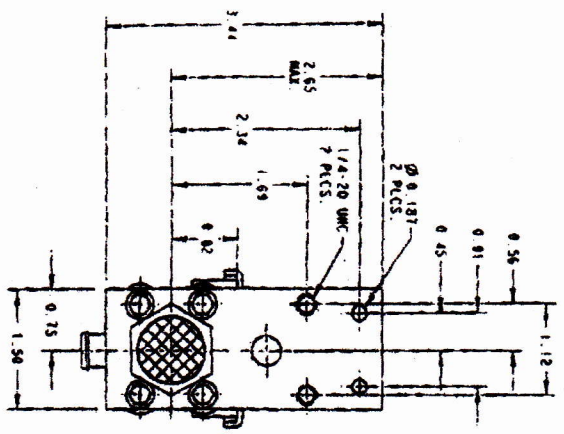
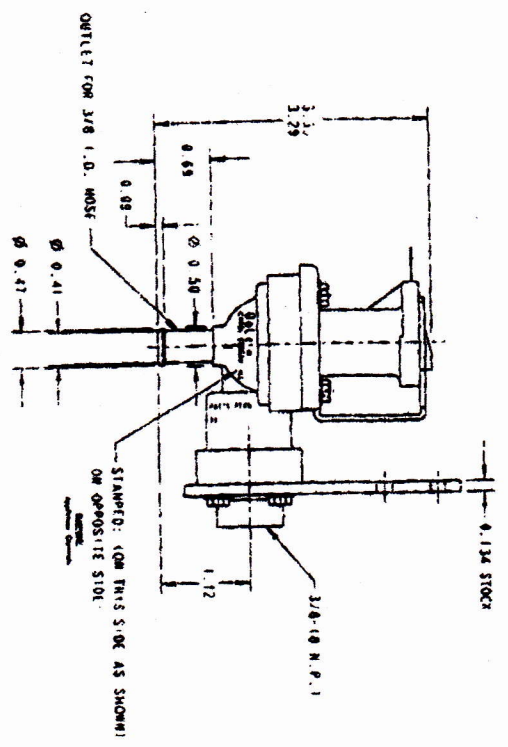


EATON APPLIANCE CTRL DIV

- NOTES:
- 1 FOR USE ON 120 VOLTS, 50/60 HERTZ SERVICE, 10 MAITS.
 - 2 STEEL PARTS ARE ZINC PLATED AND CONDUITE DIPPED
 - 3 TERMINALS ARE PLAIN BRASS AND FIT AMM AND ALI-LS. AN-LES TYPE NO. 3080H. SCREWS NO. 61007 OR SIMILAR FEMALE CONNECTORS.
 - 4 FIT ON CONTROL:
 425 TO .515 G.P.M. FROM 20 TO 120 P.S.I.
 PRESSURE DROP ACROSS VALVE



ASCD
 MASTER

K 74118-35

UL Recognized
 File No. MH-6499
 CSA. LR 14157

CUSTOMER: DR. ERI'S TECHNOLOGY INC.
 U.I. RECOGNIZED VALVE
 FILE NO. MH-6499
 C.S.A. CERTIFIED VALVE - 50 HERTZ ONLY
 FILE NO. LR-14157

CUSTOMER'S DRAWING		EATON APPLIANCE CONTROL DIVISION	
INCH		EATON APPLIANCE CONTROL DIVISION	
DATE	REV	DATE	REV
1-4-73	1	1-4-73	1
1-4-73	2	1-4-73	2
1-4-73	3	1-4-73	3
1-4-73	4	1-4-73	4
1-4-73	5	1-4-73	5
1-4-73	6	1-4-73	6
1-4-73	7	1-4-73	7
1-4-73	8	1-4-73	8
1-4-73	9	1-4-73	9
1-4-73	10	1-4-73	10
1-4-73	11	1-4-73	11
1-4-73	12	1-4-73	12
1-4-73	13	1-4-73	13
1-4-73	14	1-4-73	14
1-4-73	15	1-4-73	15
1-4-73	16	1-4-73	16
1-4-73	17	1-4-73	17
1-4-73	18	1-4-73	18
1-4-73	19	1-4-73	19
1-4-73	20	1-4-73	20
1-4-73	21	1-4-73	21
1-4-73	22	1-4-73	22
1-4-73	23	1-4-73	23
1-4-73	24	1-4-73	24
1-4-73	25	1-4-73	25
1-4-73	26	1-4-73	26
1-4-73	27	1-4-73	27
1-4-73	28	1-4-73	28
1-4-73	29	1-4-73	29
1-4-73	30	1-4-73	30
1-4-73	31	1-4-73	31
1-4-73	32	1-4-73	32
1-4-73	33	1-4-73	33
1-4-73	34	1-4-73	34
1-4-73	35	1-4-73	35
1-4-73	36	1-4-73	36
1-4-73	37	1-4-73	37
1-4-73	38	1-4-73	38
1-4-73	39	1-4-73	39
1-4-73	40	1-4-73	40
1-4-73	41	1-4-73	41
1-4-73	42	1-4-73	42
1-4-73	43	1-4-73	43
1-4-73	44	1-4-73	44
1-4-73	45	1-4-73	45
1-4-73	46	1-4-73	46
1-4-73	47	1-4-73	47
1-4-73	48	1-4-73	48
1-4-73	49	1-4-73	49
1-4-73	50	1-4-73	50
1-4-73	51	1-4-73	51
1-4-73	52	1-4-73	52
1-4-73	53	1-4-73	53
1-4-73	54	1-4-73	54
1-4-73	55	1-4-73	55
1-4-73	56	1-4-73	56
1-4-73	57	1-4-73	57
1-4-73	58	1-4-73	58
1-4-73	59	1-4-73	59
1-4-73	60	1-4-73	60
1-4-73	61	1-4-73	61
1-4-73	62	1-4-73	62
1-4-73	63	1-4-73	63
1-4-73	64	1-4-73	64
1-4-73	65	1-4-73	65
1-4-73	66	1-4-73	66
1-4-73	67	1-4-73	67
1-4-73	68	1-4-73	68
1-4-73	69	1-4-73	69
1-4-73	70	1-4-73	70
1-4-73	71	1-4-73	71
1-4-73	72	1-4-73	72
1-4-73	73	1-4-73	73
1-4-73	74	1-4-73	74
1-4-73	75	1-4-73	75
1-4-73	76	1-4-73	76
1-4-73	77	1-4-73	77
1-4-73	78	1-4-73	78
1-4-73	79	1-4-73	79
1-4-73	80	1-4-73	80
1-4-73	81	1-4-73	81
1-4-73	82	1-4-73	82
1-4-73	83	1-4-73	83
1-4-73	84	1-4-73	84
1-4-73	85	1-4-73	85
1-4-73	86	1-4-73	86
1-4-73	87	1-4-73	87
1-4-73	88	1-4-73	88
1-4-73	89	1-4-73	89
1-4-73	90	1-4-73	90
1-4-73	91	1-4-73	91
1-4-73	92	1-4-73	92
1-4-73	93	1-4-73	93
1-4-73	94	1-4-73	94
1-4-73	95	1-4-73	95
1-4-73	96	1-4-73	96
1-4-73	97	1-4-73	97
1-4-73	98	1-4-73	98
1-4-73	99	1-4-73	99
1-4-73	100	1-4-73	100