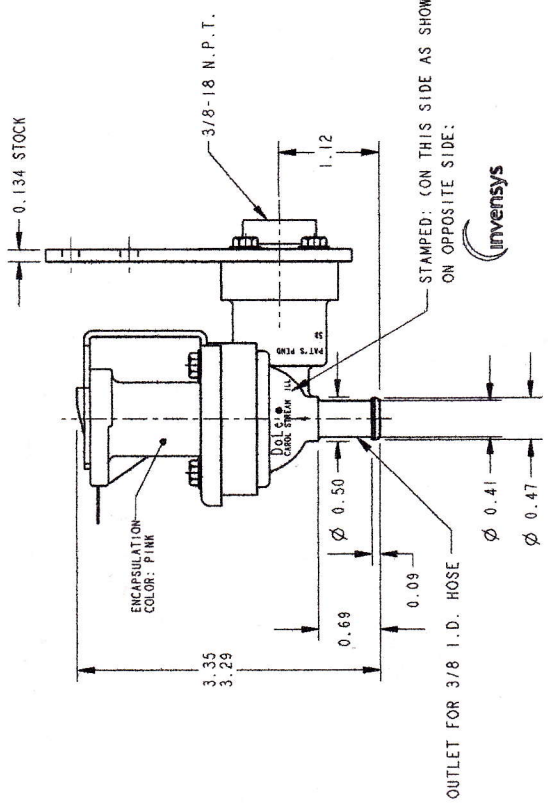
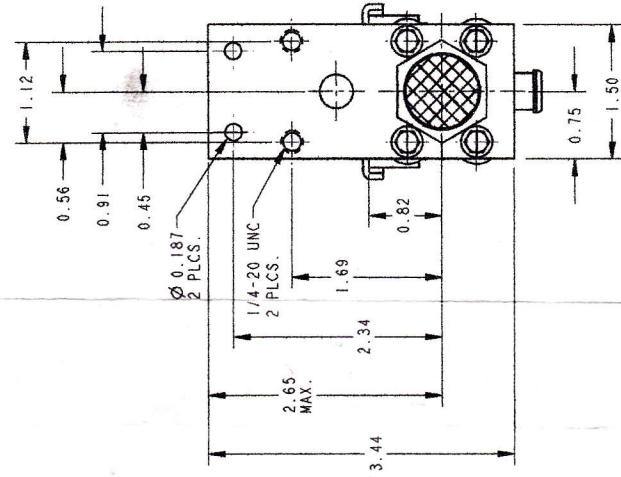
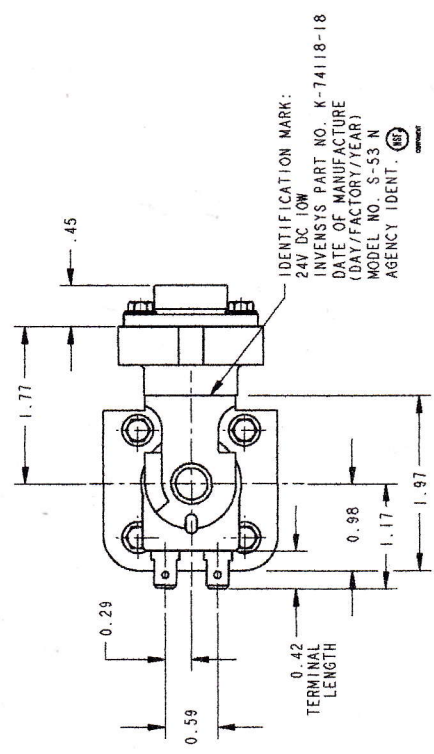


COMMERCIAL PRODUCTS

NOTES:

- 1 FOR USE ON 24 VOLT DC SERVICE, 10 WATTS.
- 2 STEEL PARTS ARE ZINC PLATED AND CHROMATE DIPPED OR GALVANIZED.
- 3 TERMINALS ARE .250 x .032 BRASS MALE QUICK CONNECTS PER NEMA SPECIFICATION DC-2.
- 4 FLOW CONTROL :
425 TO 575 G.P.M. FROM 20 TO 120 P.S.I.
PRESSURE DROP ACROSS VALVE.

EATON APPLIANCE CTRL DIV



CUSTOMER: DR. er'ls TECHNOLOGY INC.

CREATED AT: CAROL STREAM	REV. NO.	RELEASE TO PRODUCTION	25-SEP-02
CUSTOMER DRAWING	DESCRIPTION OF REVISION(S)	DATE/REV. BY	10/15/02
APPLICATOR: DR. er'ls TECHNOLOGY INC.	INVENSYS APPLIANCE CONTROLS		
DESIGNED BY: R. MOSES	25-SEP-02		
CHECKED BY: U. HAOP	25-SEP-02		
DRAWN BY: J. KLOPP	25-SEP-02		
APPROVED BY: J. KLOPP	25-SEP-02		
DATE OF APPROVAL: 10/15/02	DATE OF APPROVAL: 10/15/02		
SCALE: 1:1	DRAWING SCALE: 1:1		
DRAWING NO.: K-74118-185			
SHEET NO.: 1 OF 1			

INVENSYS
60184-2000 U.S.A.

S-53 N VALVE SALES OUTLINE

PRODUCT CODE: S-53 N

MATERIAL: